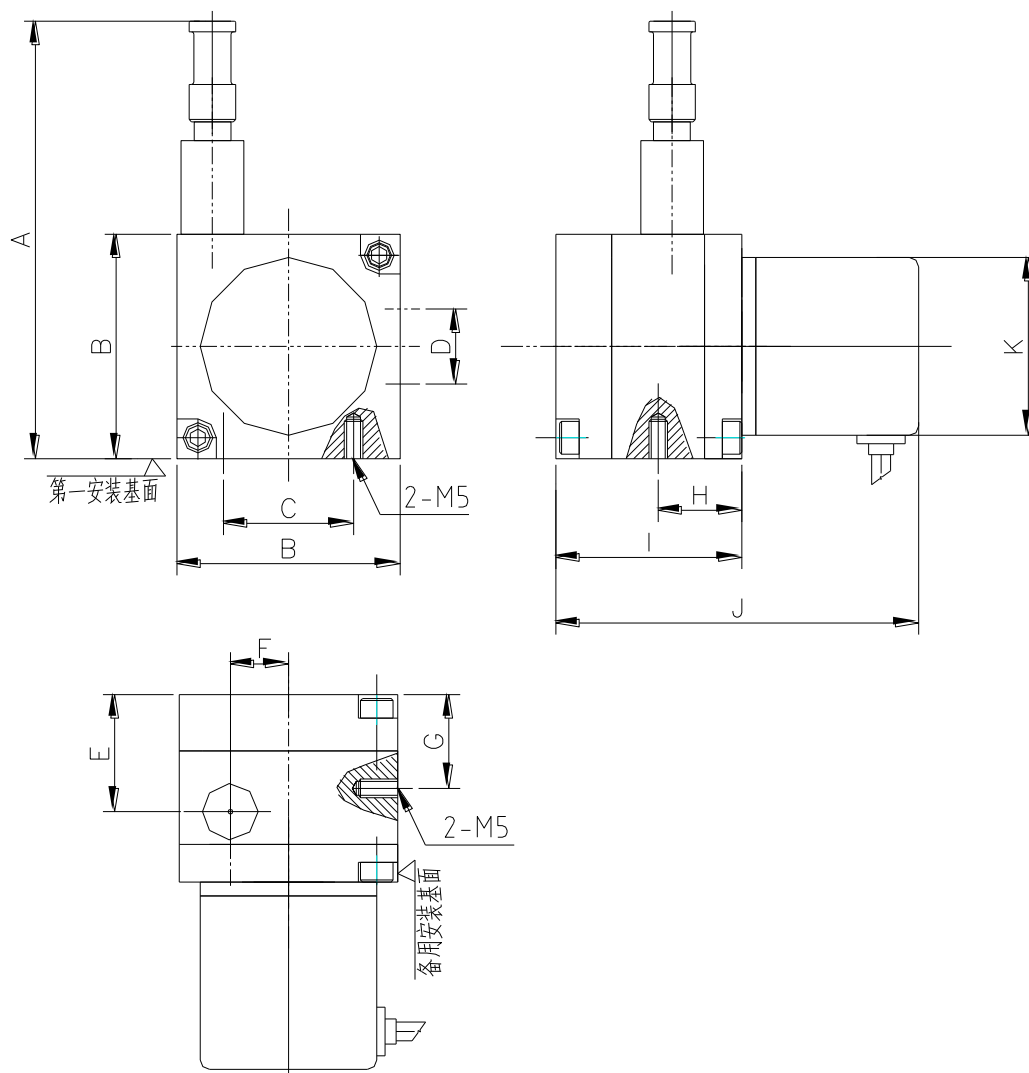


# Installation Dimensions (in mm)



Code	POT4200_0	POT4201_0	POT4202_0	ENC4103_0	ENC4104_0	ENC4105_0
A	94	94	126	94	94	110
B	48	48	80	48	48	63
C	28	28	54	28	28	40
D	16	16	22	16	16	22
E	25	25	25	24	24	25
F	12.5	15.92	31.85	12.5	12.5	23.88
G	20	20	20	20	20	20
H	18	18	18	18	18	18
I	40	40	40	40	40	40
J	78	78	104	82	82	82
K	42	42	58	38	38	38